

LED STAR DECOSPOT PAR 16

12° 230 V GU10 BL



Product benefits

- Very low energy consumption
- Extremely long life
- Efficient production of colored and color-changing light
- No UV radiation in the light beam

Product features

- LED lamps for line voltage
- Not suitable for use with dimmers
- Mercury-free lamps



Technical data

Electrical data

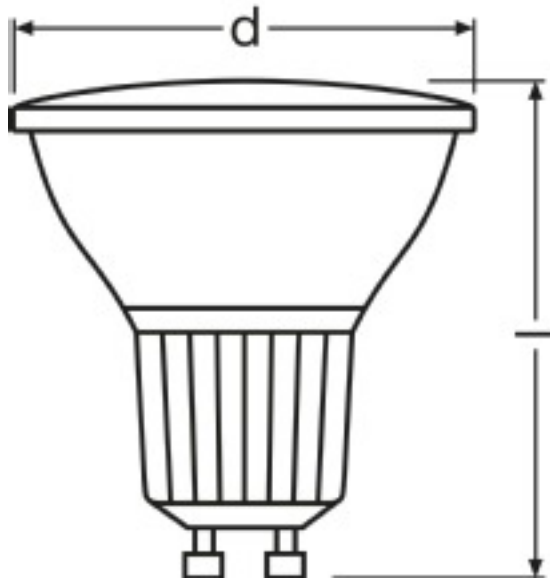
Rated wattage	0.8 W
Nominal wattage	1 W
Rated power factor λ	0.22
Operating frequency	50...60 Hz

Light technical data

Luminous intensity	50 cd
Beam angle	12 °
Rated starting time	0.0 s
Rated warm-up time (60 %)	0 s
Light color LED	blue

Dimensions & weight

Overall length	57.0 mm
Diameter	50.0 mm
Outer bulb	PAR51



Product line drawing with letters

Colors & materials

Rated lamp mercury content	0.0 mg
Mercury-free	Yes

Additional product data

Base (standard designation)	GU10
Footnote used only for product	All technical parameters apply to the entire lamp/Due to the complex production process for light-emitting diodes, the typical values shown for the technical LED parameters are purely statistical values that do not necessarily match the actual technical parameters of each individual product, which can vary from the typical value

Capabilities

Dimmable	No
----------	----

Country specific categorizations

ILCOS	DRPAR-1-220/240-GU10-12
-------	-------------------------

Logistical Data

Product code	Packaging unit (Pieces/Unit)	Dimensions (height x width x length)	Gross weight	Volume
4008321905581	Blister 1	82 mm x 52 mm x 121 mm	64.92 g	0.52 dm ³
4008321079206	Tray with lid 6	154 mm x 134 mm x 319 mm	587.88 g	6.58 dm ³
4008321079213	Shipping carton box 36	337 mm x 296 mm x 480 mm	3857.18 g	47.88 dm ³

References / Links

For Guarantee see

- ▶ www.osram.com/guarantee

For further products and actual information concerning LED lamps see

- ▶ www.osram.com/ledlamps

Disclaimer

Subject to change without notice. Errors and omission excepted. Always make sure to use the most recent release.